

## ◆ Tools and materials

Ruler - scissors - craft knife - awl or other pointed tool for scoring fold lines  
 - white glue - cutting mat  
 - toothpicks or small paintbrush  
 - tweezers or needle-nose pliers.  
 - a penny or other small coin

## ◆ Caution

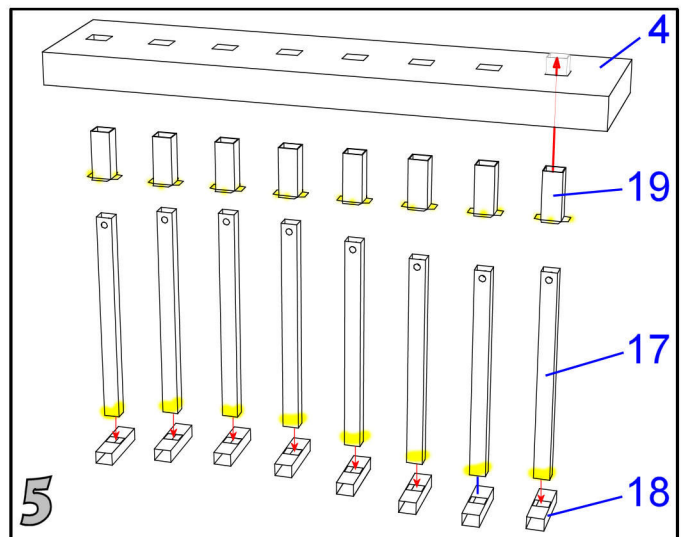
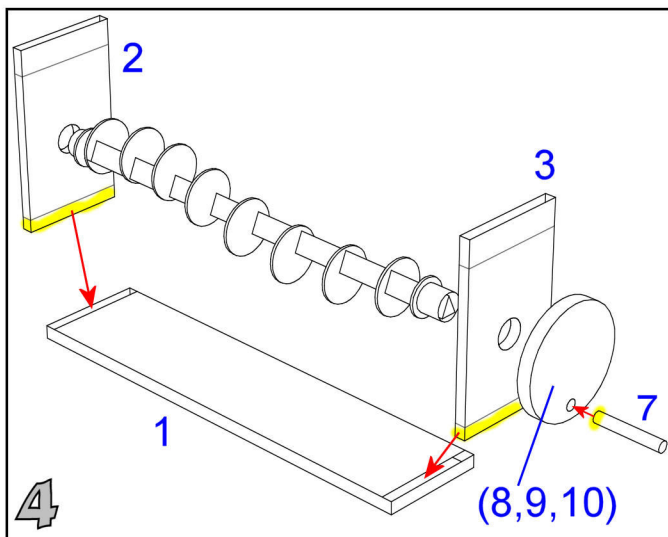
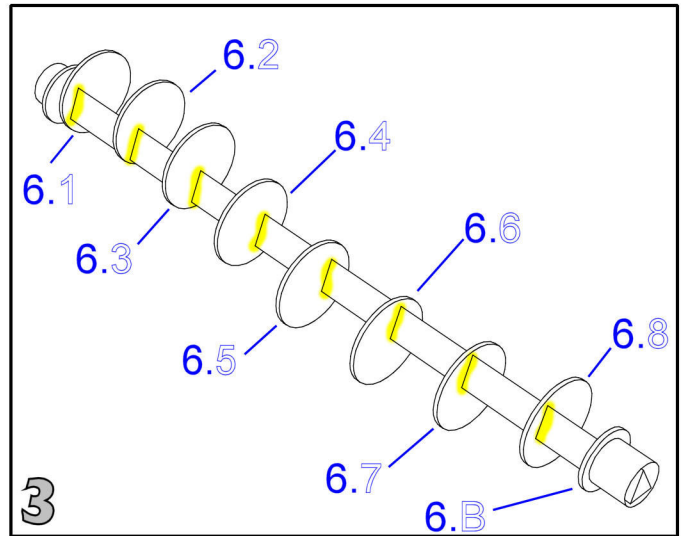
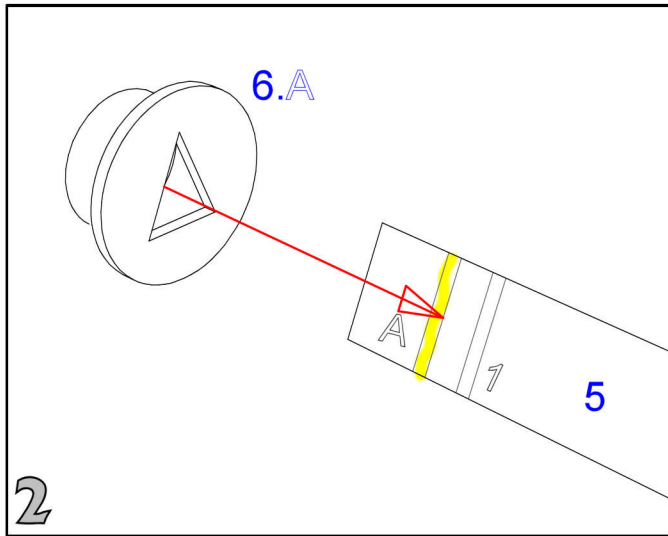
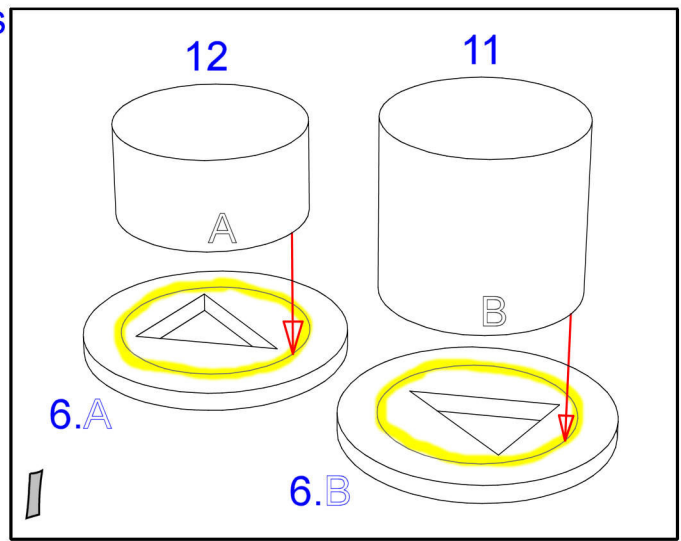
Knives and scissors should only be used with proper adult supervision.  
 Use glue sparingly and only in a well ventilated area.

## ◆ Printing tips

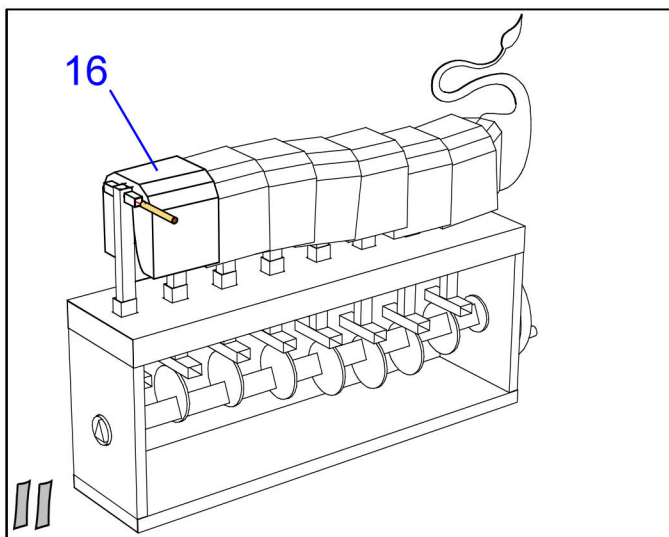
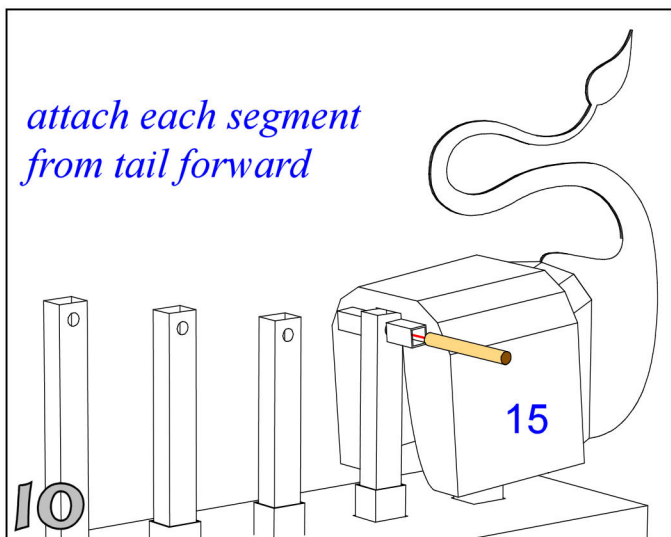
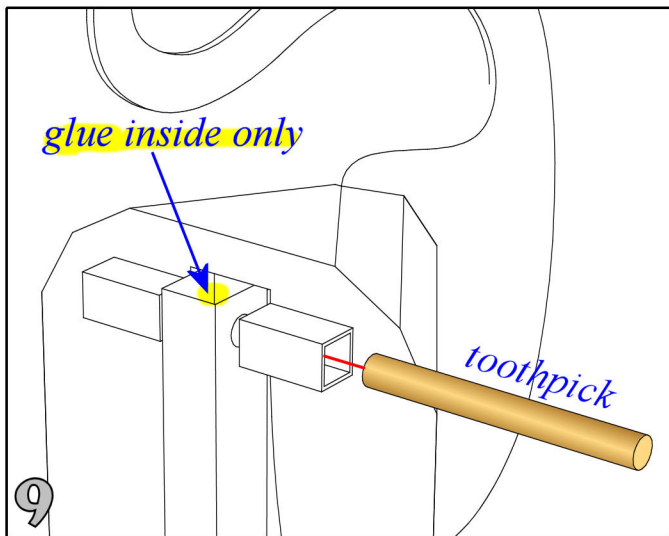
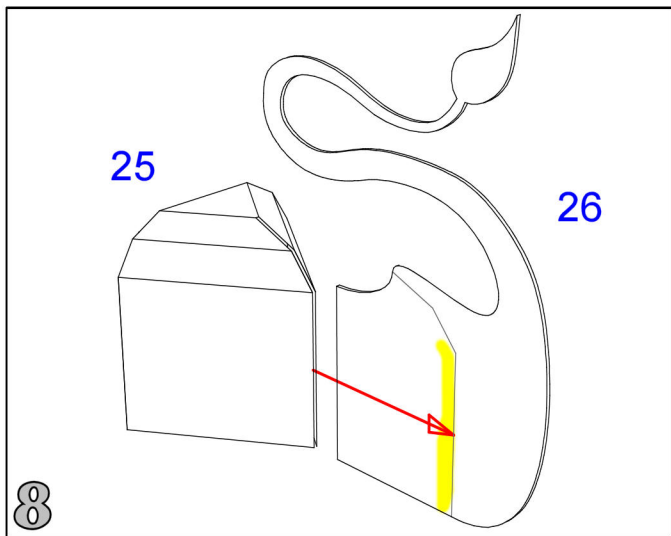
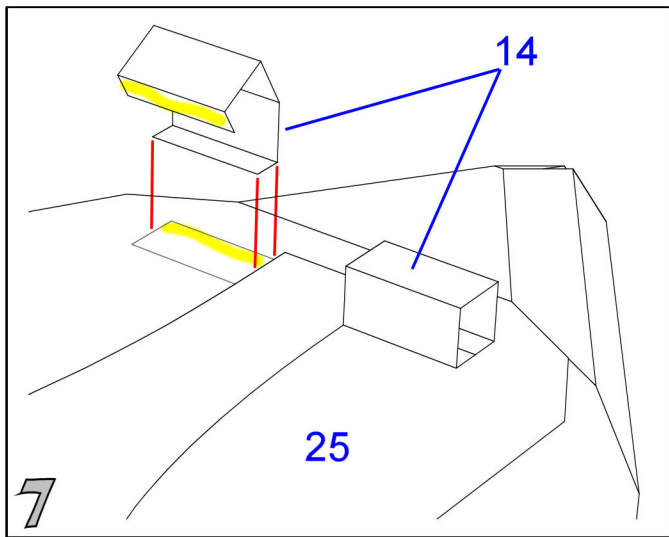
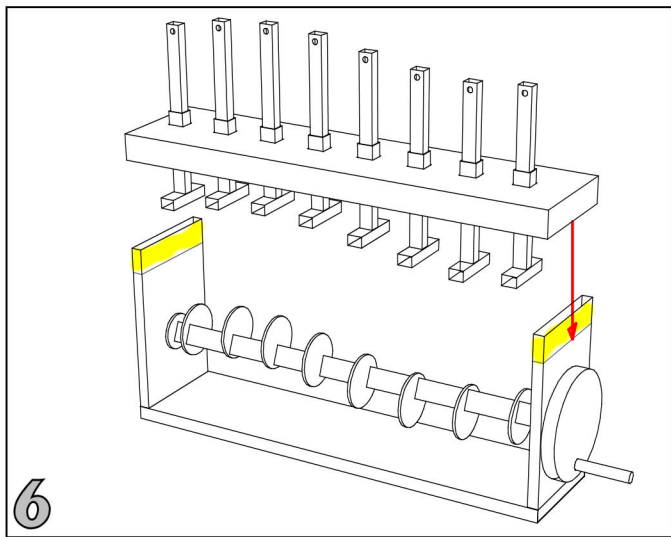
Print on 67 lb Cover Stock or  
 110 lb Card Stock  
 Select "Auto-rotate and Center"  
 Do not select "Fit to Page"

## ◆ Assembly Instructions

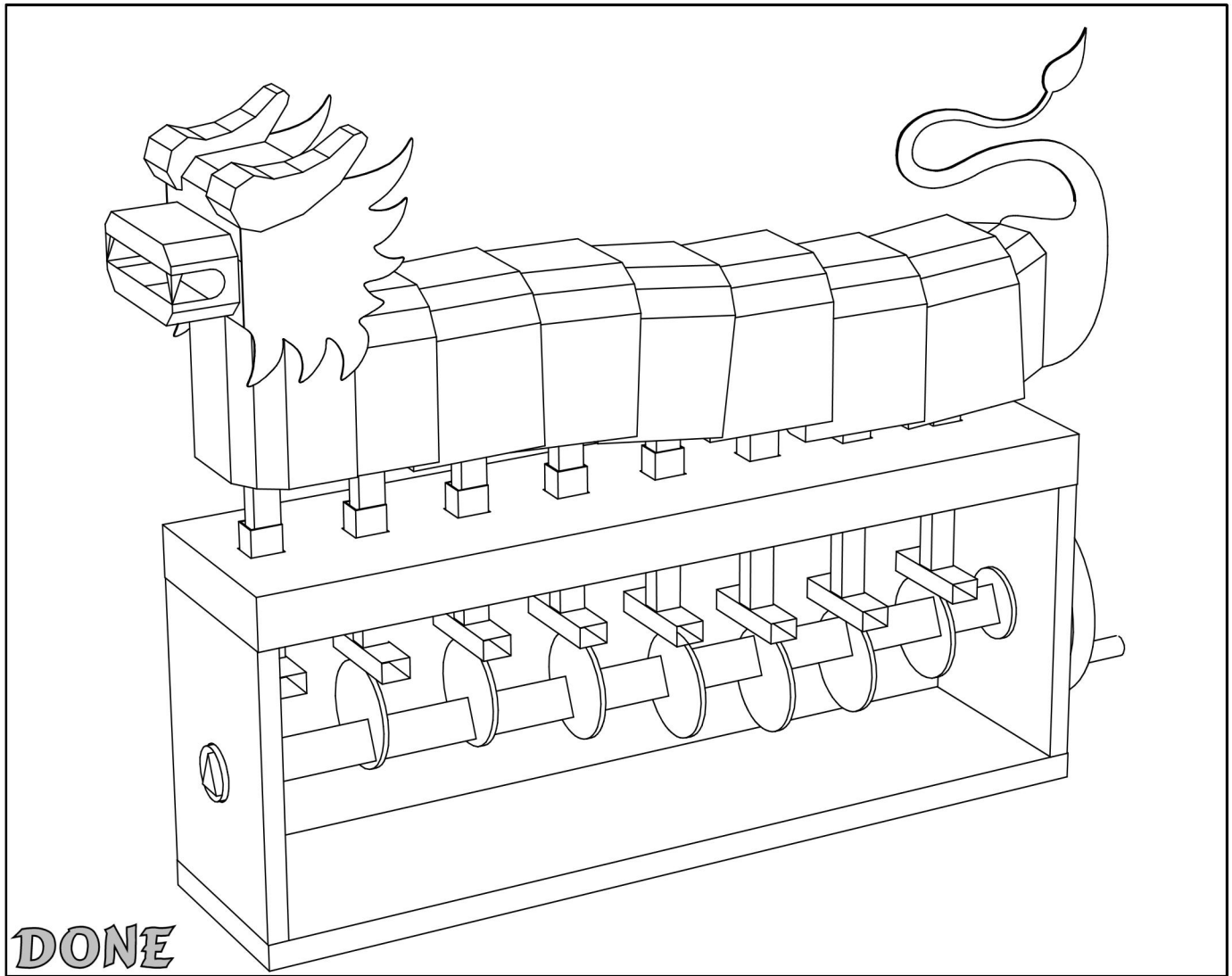
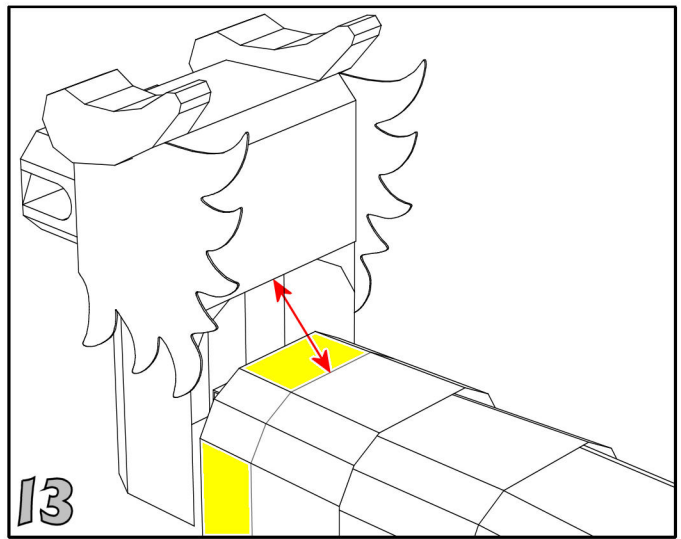
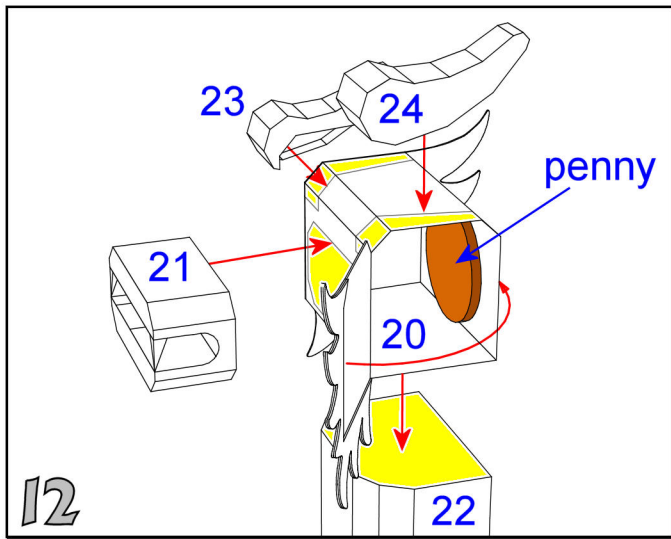
- ◇ Before cutting, carefully score all fold lines using the ruler and awl or other pointed tool. Be careful not to cut through the paper.
- ◇ Use the ruler and craft knife to carefully cut out each piece.
- ◇ Fold and dry fit each piece before gluing.
- ◇ Use a toothpick or small paintbrush to apply glue to the glue tabs.
- ◇ Use tweezers or pliers to clamp the glue tabs until dry.



# Jade Dragon



# Jade Dragon



# Jade Dragon

## END-USER LICENSE AGREEMENT

PLEASE READ CAREFULLY. BY USING OR BY PLACING OR COPYING THIS SOFTWARE ON YOUR COMPUTER HARDWARE, COMPUTER RAM OR OTHER STORAGE MEDIUM, YOU ARE AGREEING TO BE BOUND BY THE TERMS OF THIS LICENSE. IF YOU DO NOT AGREE TO THESE TERMS, PLEASE REMOVE THESE FILES AND CEASE ALL USE OF THIS SOFTWARE.

## THANKS

Thank you for licensing this model. I'm sorry to burden you with this contract, but it is necessary in order for me to maintain control and ownership of the time and energy invested in the models I develop for your enjoyment. It is necessary that you understand and agree that you are only acquiring a right to print and assemble the enclosed model. You are not acquiring ownership of the files themselves. Ownership of the files and intellectual property contained within remains with Steven Marshall.

## SHAREWARE

Shareware is a method of software distribution and marketing, and not a type of program. Shareware, traditionally, is software that is published by authors who want you to help with their word-of-mouth advertising. It's more than a free trial; it's a free trial that you can share with your friends. When you find a product that does what you need, you'll buy the full version, usually directly from the author.

Like shareware *software*, shareware *paper models* are "try before you buy". I don't expect you to pay for a model you never build, or one you try to build and find too difficult or in your opinion badly designed. However, should you build the model, and find it to be something you enjoyed building and are proud to keep and display, then you should be willing to pay for that experience and the final product. So, if these files provide you a satisfactory model, you are required to pay the license fee.

## LICENSE

HomespunMagixx hereby gives you a non-exclusive license to the files comprising the model "*Jade Dragon*" ("the software"). For evaluation purposes, the license is granted, and subject to the limitations below. Successful assembly of the software into a complete model ("the model") obligates you to pay a license fee by following instructions included with the software.

### You may:

- store the software on any number of computers and electronic storage media;
- print the software any number of times for your own use;
- print the software at any scale. For this purpose only, you may modify the software so as to print acceptably at larger scales. The modified software remains the property of HomespunMagixx and subject to this license agreement.
- assemble the hardcopy of the software into a completed model any number of times for your own use.
- donate, or give as a gift any number of completed models under a single license fee.
- sell a single instance of the completed model per license fee.
- redistribute the software to others on an individual basis, that is, you may provide each person, one at a time, a single electronic copy of the software.

### You may not:

- permit other individuals to make a "hardcopy" print of the software except under the terms listed above;
- modify, translate, reverse engineer, decompile, disassemble (except to the extent applicable laws specifically prohibit such restriction, and under the terms listed above), the software
- create derivative works based on the software;
- copy the software (except as specified above);
- sell, rent, lease, transfer or otherwise transfer rights to the software for financial gain;
- redistribute the software 'en masse' such as by posting to a publicly accessible website, peer-to-peer filesharing system, inclusion on CD compilations, etc.
- remove any proprietary notices or labels on the software.
- distribute printed hardcopy of the software without the expressed written permission of HomespunMagixx.

Educators wishing to use the software for educational purposes may request HomespunMagixx to waive particular restrictions listed above.

## TERMINATION.

The license will terminate automatically if you fail to comply with the limitations described above. On termination, you must destroy all copies of the software and any unassembled prints of the software.

## DISCLAIMER OF WARRANTY

The Software is provided on an AS IS basis, without warranty of any kind, including without limitation the warranties of merchantability, fitness for a particular purpose and non-infringement.

The entire risk as to the quality and performance of the Software is borne by you.

Should the Software prove defective, you and not HomespunMagixx assume the entire cost of any service and repair.

HomespunMagixx IS NOT RESPONSIBLE FOR ANY INDIRECT, SPECIAL, INCIDENTAL, OR CONSEQUENTIAL DAMAGES OF ANY CHARACTER INCLUDING, WITHOUT LIMITATION, DAMAGES FOR LOSS OF GOODWILL, WORK STOPPAGE, COMPUTER FAILURE OR MALFUNCTION, OR ANY AND ALL OTHER COMMERCIAL DAMAGES OR LOSSES.

Title, ownership rights and intellectual property rights in and to the Software shall remain in HomespunMagixx. The Software is protected by international copyright treaties.